



Indian Institute of Carpet Technology (IICT)

Under the Aegis of Office of the Development Commissioner (Handicrafts)

Ministry of Textiles, Government of India

Chauri Raod, Bhadohi-221401 (U.P.)

Date of upload in CPP Portal : 28.01.2020

Tender Ref. No.: 2/Admn/Metallic looms and Frames/50/IICT/2020

Notice Inviting e-Tender

Online tenders are invited from eligible organizations for the empanelment of suppliers separately for **supply of Hand-knotted Carpet Metallic looms (1500 Nos.)** and / or **Hand-tufted Carpet Metallic Frames (1000 Nos.)** of specified size, for distribution to Carpet Weavers trained in Mirzapur – Bhadohi Carpet Mega Cluster under Comprehensive Handicraft Cluster Development Scheme (CHCDS).

The last day of uploading of bid(s) is **19.02.2020, upto 1:00 PM.**

The Online bid (both Technical and Financial) should be uploaded on Central Public Procurement Portal (CPP Portal) i.e. www.eprocure.nic.in upto 1.00 PM of last day of online uploading of bid i.e. **19.02.2020**, along with all supporting documents, including the proof of Registration fee of **Rs. 5,000/- and Rs. 1,500** (Non-refundable in form of DD) & Earnest Money Deposit (EMD) in the form of demand draft of Rs. 6 lakhs & Rs. 40,000 for Hand-knotted Carpet Metallic looms and for Hand-tufted Carpet Metallic Frames respectively in favour of Director, IICT payable at Bhadohi and Bid will be opened on the same day at 3:00 PM onwards. The Hard Copy of originals in respect of Registration Fee, Earnest Money and Original copy of documents must reach to the Director, IICT, Bhadohi on or before the last day of uploading of bid(s) i.e. **19.02.2020, upto 1:00 PM.**

Intending tenderers may also **visit to website** <http://www.handicrafts.nic.in> and Institute website: www.iiict.ac.in for complete details about project scope, funding, selection process, Terms of Reference (ToR) and other terms.

All tender related queries, corrigendum, updates, if any will be published in the above mentioned websites only.

Director, IICT

Notice Inviting e-Tenders for Empanelment of Suppliers for the supply of Hand-knotted Carpet Metallic looms to the Handicrafts weavers in Mirzapur-Bhadohi Mega Cluster under Comprehensive Handicrafts Cluster Development Scheme (CHCDS)

The last day of uploading of bid(s) is **19.02.2020, upto 1:00 PM.**

The Office of the Development Commissioner (Handicrafts), has introduced Comprehensive Handicrafts Cluster Development Scheme for Integrated & Holistic Development of Mirzapur Bhadohi Handicrafts Mega Cluster (covering entire Mirzapur Bhadohi District). As per the diagnostic study and Detailed Project Report (DPR) of the Mirzapur-Bhadohi Cluster, assistance to individual carpet weavers/units/ weavers federations/ registered contractors etc. is proposed, where the Hand-knotted Carpet Metallic looms and Hand-tufted Carpet Metallic frames will be distributed across the Cluster to the Artisan trained under CHCDS project at subsidized rate. For Hand-knotted Carpet Metallic looms and Hand-tufted Carpet Metallic frames, Government of India's contribution will not exceed 80% of the total cost of the loom and balance 20% will be contributed by the beneficiary. For SC/ST beneficiaries contribution may be relaxed to 10 %. The specified loom will be sourced from the Empanelled Suppliers.

1. Background

Indian handmade carpet industry provides employment to over 20 lakh households in India, majority being the poorest and most disadvantaged sections of the society. Besides, handmade carpets have always been a foreign exchange earner as this enterprise is almost totally export oriented. Indian carpets are known the world over for their exquisite design, subtle elegance, attractive colors and workmanship. However, due to increased competition in the international market over the years, the income of the carpet weavers has not been increasing in real terms. The Loom and frames used by the carpet weavers in the cluster are outdated and not in the proper working conditions. Also, due to lack of awareness and involved paper work, weavers abstain from taking loans from the bank, preferring the local money lenders. The interest offered by these money lenders are exceedingly high and buying a loom from that money is normally a weaver's last preference. If these weavers were offered looms at subsidized rates, weavers will be able to upgrade from the old loom to new loom at minimal cost. It will improve their current efficiency and subsequently help to increase their earnings. It will also encourage them to purchase their own assets instead on those provided by the contractors.

Therefore, with a view to preserve and give a fillip to this art form, the Office of the Development Commissioner (Handicrafts) is planning to launch a scheme for distribution of carpet looms/frames , with a view to enhance the weavers' output / productivity leading to an increase in their income.

The scheme aims to provide financial assistance maximum to the extent of 80% for the price of the first two looms and 60 % for the additional two looms per units. The beneficiary of the scheme will contribute the balance 20% and 40 % accordingly. The scheme is proposed to be operated through empanelled engineering firms/workshops in the carpet concentration area. Accordingly, it has been decided to invite technical and financial bids on the basis of scope of work and eligibility criteria.

2. Empanelment of Suppliers

For the purpose of supplies of pre-identified hand-knotted Carpet Metallic looms specifications (**Annexure-II**), e-Tenders are invited online only from interested agencies associated with manufacturing of pre designed loom as per specifications, preferably based in/ around the district of Mirzapur Bhadohi. Manual bids shall not be accepted.

3. Scope of Work

- a) To supply quality looms to applicants as per the specifications mentioned in the supply order. The looms have to be supplied in Mirzapur Bhadohi District in coordination with implementing agency.
- b) To offer any other support as desired by the O/o IICT, Bhadohi for successful implementation of the scheme. Such as warehouse, complaint cell etc.
- c) The quantity in total to be manufactured is 3,000 Nos. of Hand-knotted Carpet Metallic Looms. The loom supply has to be done as communicated by O/o IICT, Bhadohi from time to time.
- d) Nos. of hand-knotted Carpet Metallic looms may vary subject to availability of sanctioned allocated fund/budget/demand.
- e) The rate and amount as finalized through this tender may further be utilized for the supply of additional numbers of Hand-knotted Carpet Metallic Looms, as be decided by the competent authority.

4. Pre-bid qualification (PBQ) Criteria for submission of e-Tender

- I. The bidders should be a registered entity with the sales tax department of the State Government(Documents/Proof to be attached)
- II. The income tax payer with proof for last two years.
- III. The bidder should have minimum annual turnover of Rs. 50 Lakhs in the last two years.
- IV. The bidders should have minimum two years of experience in manufacturing of handloom, carpet loom and allied Textile machinery / accessories etc.
- V. Bidder must have manufacturing capacity of at least 250 looms per month of the technical specifications as mentioned in the tender document.
- VI. The bidders should have net profit in each of the last two years. (Balance sheet for the last two years to be attached).
- VII. The bidders should not have been blacklisted by central or state govt. (Notarized undertaking to be submitted).
- VIII. Bidder must be ready to submit notarized affidavit to supply as per the requirement of Tender specifications.

Note: - Interested agency meeting above PBQ only, to submit bid, online only.

5. Methodology of Supply of Looms

The Empanelled Supplier(s) (ES) will supply the Hand-knotted Carpet Metallic Looms as per the specifications mentioned in **Annexure –II** based on the supply order(s) placed by the O/o IICT, Bhadohi.

Step 1: Based on the empanelment of the supplier(s), the order(s) will be placed to the supplier(s), considering the proximity of the supplier to the beneficiary or any methodology finalized by the office of the DC (Handicrafts)/IICT, Bhadohi. Payment of **30% of order value** will be made as advance to the supplier(s) immediately on placing the order.

Step 2: Supply & Installation order(s) will be prepared in triplicate. One copy of the order will be given to the beneficiary, second copy will be given to the supplier and third copy will be retained by Implementing Agency.

Step 3: The Supply & Installation order will indicate the name of the beneficiary, type of loom applied for and the quantity of each loom.

Step 4: A supplier, if required may coordinate and confirm the supply order with Implementing Agency.

Step 5: Once the supply order(s) is placed, the Implementing Agency will approach the supplier and will ensure the supply as per the quantity and specifications given in the supply order(s). The supplier will retain the copy of the Supply & Installation order given to the beneficiary and obtain a receipt of the loom from the implementing agency and issue a copy of same to implementing agency. **40% payment of order value** will be made to the supplier on supply of 100% delivery and receipt of loom and frames.

Step 6: The above procedure for supply of looms to the beneficiaries will continue and immediately after supply of looms, verification will be done within 10 days/ or as necessarily required, from the date of supply of loom to beneficiary by the implementing agency. An intimation of supply of loom(s) to the beneficiary (ies) by the implementing agency will be made within week to Verification team as decided by O/o Development Commissioner (Handicrafts) by sending a copy of the receipt of loom(s) by the beneficiary (ies).

Step 7: Once the verification is over and it is ascertained that the loom have been received/installed by the beneficiary, O/o Development Commissioner (Handicrafts)/ IICT, Bhadohi will release the balance **30% payment of order value**.

6. Loom Specifications

- The Hand-knotted Carpet Metallic Looms supplied should be of highest quality and comply with the specifications and quality norms as attached in **Annexure –II**. A sample Hand-knotted Carpet Metallic Loom manufactured by the bidder as per specifications of tender document must be presented and demonstrated, weaving before the committee for evaluation on the day of tender opening. The same will be evaluated by the committee.
- The rate quoted shall be valid for a period of 2 year from the date of opening of the tender.
- The rate finally arrived at and accepted alone will be paid. On any account, no extra charges will be paid for any other activity done or required to be done by the bidder. Any increase in the statutory duties, taxes etc., shall be borne by the bidder only.
- Any deviations found from approved quality of the Hand-knotted Carpet Metallic Looms during the course of implementation will result in debarring of the supplier from empanelment along with suitable penalty as decided by IA/Office of DC (Handicrafts).
- All Hand-knotted Carpet Metallic Looms should carry a warranty of one year against any manufacturing defects from date of supply.

7. Procedure for Submission and Evaluation of bid(s)

Bids should be submitted online only.

The proposals shall be submitted in **TWO BID SYSTEM** viz .**Technical Bid** and **Financial Bid**.

The Hard Copy of originals in respect of Registration Fee, Earnest Money and Original copy of documents must reach to the Director, IICT, Bhadohi on or before the last day of uploading of bid(s) i.e. 19.02.2020 upto 1:00 PM.

Registration fee of Rs. 5,000/- (Non-refundable in form of DD) & Earnest Money Deposit (EMD) in the form of demand draft of Rs. 6 lakhs for Hand-knotted Carpet Metallic looms in favour of Director, IICT

payable at Bhadohi and Bid will be opened on the same day at 3:00 PM onwards.

The Earnest Money Deposits of the bidders, other than the successful bidder will be returned within 1 month from the completion of the bid process.

8. Process of Tender Evaluation:

- i. Applications for empanelment will be opened and assessed by a duly constituted committee.
- ii. Physical verification of the bidder's facilities for bidders qualifying technical criterion may be done, if required, by a team, as decided by O/o DC (Handicrafts)/ IICT, Bhadohi to verify bidders capacities as declared in the EoI.
- iii. A sample loom manufactured by the bidder as per specifications of the tender document only, must be presented and demonstrated weaving /tufting before the committee for evaluation on the day of tender opening. For this they may come in advance with due intimation at IICT, Bhadohi or as notified otherwise.
- iv. Bidder must demonstrate his/her manufacturing capacity of at least 250 looms per month.
- v. Bidder must be ready for quality inspection of the supplied loom by the coordinating agency.
- vi. Financial bid will be opened only, for the eligible agencies. Empanelment of suppliers will take place on basis of lowest bid recommendation made by the duly committee constituted for each Hand-knotted Carpet Metallic Loom after due approval of competent authority.
- vii. The committee reserves the right to recommend amendments in the proposed order quantity.
- viii. The committee reserves the right to appoint more than one supplier for each item subject to eligibility, compliance to quality, price terms and to ensure supply within the Delivery period.
- ix. For Hand-knotted Carpet Metallic looms, in case, L-1 does not have the capacity to supply full quantity in 3 months' time, the order will be split among bidders at L-1 rate.
- x. After opening of the financial bids, selected bidders must submit their consent to supply part order at L-1 rates (in order to be considered for part order).
- xi. Decision of the committee shall be final and binding on all the bidders.

9. Payment terms and conditions:

Payments will be linked to the actual delivery / supplied quantity, and shall be made after the delivery and installation at the specified location in Mirzapur-Bhadohi mega cluster.

Payments terms will be as follows:

- i. 30% of order value - As advance on placing the order by IICT to the supplier(s).
- ii. 40% of order value - On successful delivery of the 100% Hand-knotted Carpet Metallic Looms to the specified location in Mirzapur-Bhadohi district and confirmation/ verification of the same by the Coordinating agency/IICT, Bhadohi.
- iii. 30% of order value - installation of 100% looms at beneficiary location and submission of the inspection report conforming to the specifications of the looms.
- iv. Advance(s) will be released against the submission of Bank Guarantee (BG) of equivalent amount.

10. Other terms and conditions:

- i. In financial bid, prices quoted need to be inclusive of taxes, duties etc.
- ii. The prices quoted should be valid for minimum two year.
- iii. Periodical updates to be given to **O/o IICT, Bhadohi** regarding the progress of the supplies.
- iv. Confidentiality of the data provided by the **O/o IICT, Bhadohi** should be maintained.
- v. Transportation cost for supply of loom, if any, has to be borne by the supplier.
- vi. If required, as per the direction from the O/o DC (Handicrafts)/ IICT, Bhadohi, the supplier may have to operate a warehouse or a complaint cell in the cluster.

11. Rights to accept / reject the proposal

IICT, Bhadohi reserves the right to accept/reject the proposals received without assigning any reasons whatsoever or may call for any additional information / clarification, if so required.

12. Agreement Cancellation

In the event of supplier(s) wilfully not commencing the supply within 30 working days after awarding the contract, the Office of the Development Commissioner (Handicrafts)/ IICT, Bhadohi at its sole discretion shall cancel this agreement in writing and forfeit the Performance Security along with imposing penalty, as be decided by the Competent authority.

13. Court Jurisdiction

This shall be subject to the exclusive jurisdiction of courts at Bhadohi.

14. Force Majeure Clause

Should any Force Majeure circumstances arise, each of the contracting party shall be excused for the non-fulfilling or for the delayed fulfilment of any of its contractual obligations, if the affected party within 15 days of its concurrence inform the other party in writing.

Force majeure shall mean fire, flood, natural calamities or any other acts as war, turmoil strikes (as not limited to the establishment of the seller), sabotage, and explosion and quarantine restrictions beyond the control of either party.

15. Performance Security

- The Empanelled Supplier(s) will be required to deposit Performance Security for an amount of **5%** of the value of the order in the form of Demand Draft.

16. Penalty Clause

- In case of non-adherence to any terms & conditions of the Notice Inviting e-tender and supply order(s), and non-supply within the stipulated date of the delivery, the performance security and bank guarantee(s) will be forfeited along with imposing other penalties as decided / directed by the competent authority.

Format for Technical BidEmpanelment of Supplier(s) for supply of Hand-knotted Carpet Metallic Looms (1500 Nos.) for distribution to Carpet Weavers in Mirzapur –Bhadohi Mega Cluster under Comprehensive Handicraft Cluster Development Scheme (CHCDS).

1.Name of Agency/ organization :	
2. Complete address	
3.Name of the Proprietor :	
4.Telephone No.	Office:
	Residence:
	Mobile:
	Fax:
	Email:
5.Year of Establishment of Agency/ organization :	
6. No. of years of experience in manufacturing hand- knotted Carpet Metallic loom	
7.Address of manufacturing facility(ies),	

8. Maximum capacity for supplying Looms in a month.

Name of the Item	Monthly Capacity (in number)
<p>1. Hand-knotted Carpet Metallic Loom</p> <p>(Specifications as per Annexure -II)</p>	

9. Number of personnel employed	Technical	
	Non-technical	
10. Annual Sales Turnover (Rs. in lakh)	2017-18	
	2018-19	
11. Profit (Rs. in lakh)	2017-18	
	2018-19	
13. Complete address of the retail shop, if any in Mirzapur/Bhadohi/Varanasi/Elsewhere		

<p>14. Details of Deposit of Earnest Money</p> <ul style="list-style-type: none"> • For Hand-knotted Carpet Metallic Looms – Rs. 6,00,000.00 (Rupees Six Lakh only) 	<p>DD No.Dated:.....</p> <p>Drawn on Bank :</p>
<p>15. Any other specific information you would like to furnish</p>	

DATE :

SIGNATURE

PLACE :

SEAL

The bidder is required to submit relevant documents (balance sheet, profit, loss account etc.), wherever possible in support of the above information

The following information should be provided through supporting documents

1. Year of establishment and registration details
2. Year-wise sales turnover of the agency for the last three years
3. Copies of PAN Card and Service Tax Registration
4. Proof of similar projects undertaken by the agency

TECHNICAL EVALUATION CRITERION FOR SHORTLISTING TENDERER

Sr. No.	Criteria
A	Information
1.	Nature of the Supplier
	Trader/Authorized Agents/dealers / Manufacturer
2.	Whether the unit supplied to Central/State Govt.?
	If Yes (enclose copy of the supplies made)
	No
3.	Number of years of experience in supply and installation of unit.
B	Evaluation criteria
	<ul style="list-style-type: none">• Presentation and demonstration of one loom and /or tufting frame as per specifications of tender document.• Bidder must also demonstrate his/her manufacturing capacity (with relevant machinery details, photographs of manufacturing premises etc.)• Successful demonstration cum validation will qualify the agency for financial bid consideration.

NOTE:

1. Agencies qualifying technical evaluation stage shall qualify for opening their financial bid.

Name of agency with Signature

Place:

Date:

SPECIFICATIONS

Hand-knotted Carpet Metallic Looms of Size: 4' X6', 8'X10' & 9'X12' (1500 Nos.)

As per attached folder in Soft copy

The Looms should be duly painted (standard quality) - 2 coat over a primer coat.

Note :

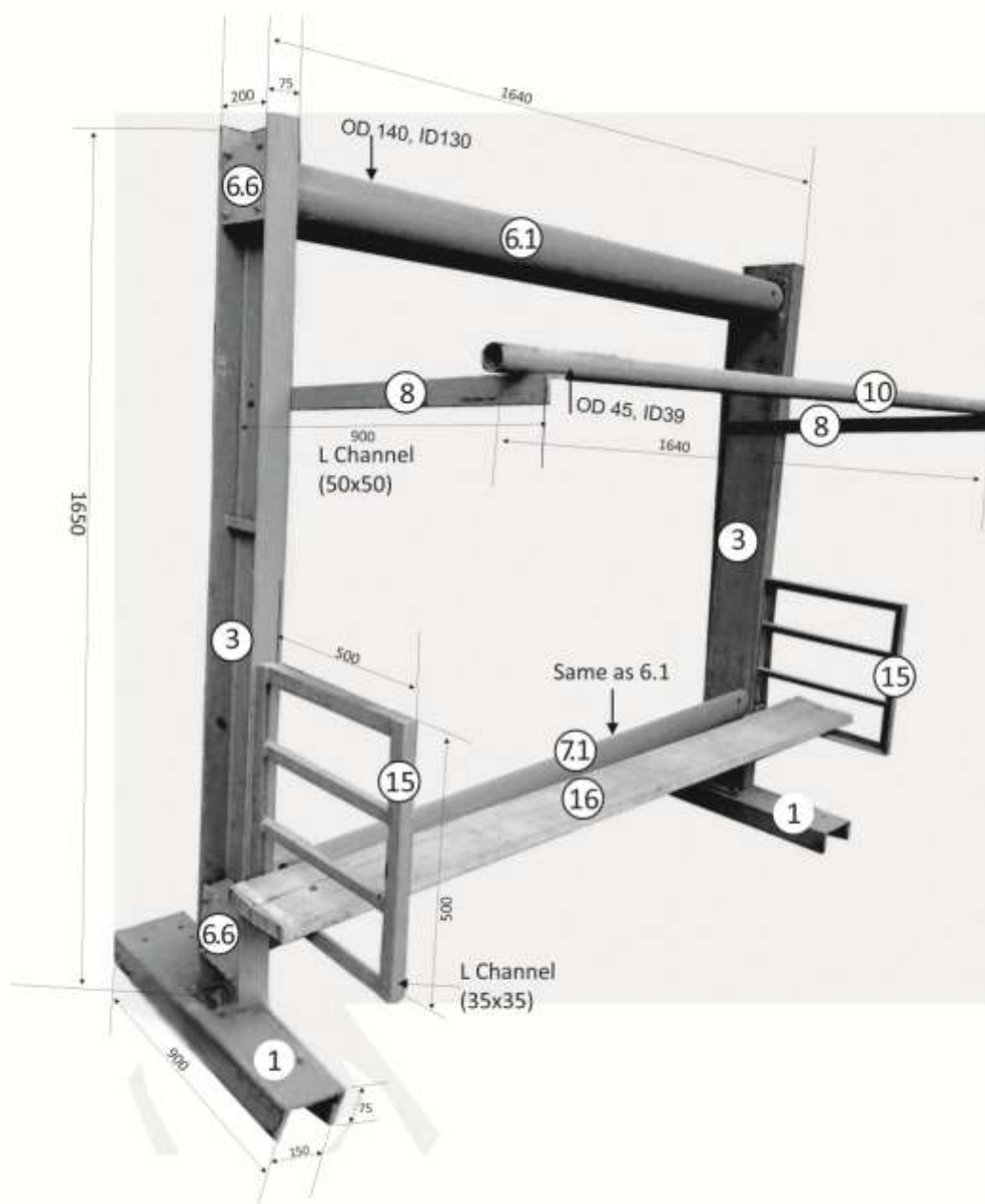
- Loom can be inspected at IICT, Bhadohi
- Looms must be of such appropriate size so as to weave the carpet of minimum 4.5 feet, 8.5 feet and 9.5 feet width.

Technical specification of 4' x 6' Persian hand knotted carpet loom

Sr. No.	Components Name	number	Dimension (in mm)
1	Base Channel	02	150x75x900
2	Foundation Nut and Bolt	08	M10, L- 300mm
3	Support Channel	02	200x75x1950
4	Base Plate for Support Channel	02	200x150x10
5	Harden Nut and Bolt	08	M10, L- 40
6	Upper Beam parts		--
6.1	Beam pipe	01	OD-140, ID-130, L-1640
6.2	Beam Hook	06	--
6.3	Beam Hook Cover	01	--
6.4	Tana Rod	01	Dia-10, L-1600
6.5	Beam Bush Bearing	02	165x165x40
6.6	Beam Bush Bearing Plate	02	165x165x10
6.7	Harden Nut and Bolt	08	M10, L- 90
6.8	Hinge (Heavy duty) for beam cover	05	--
7.	Lower Beam		--
7.1	Beam pipe	01	OD-140, ID-130, L-1640
7.2	Beam Hook	06	NA
7.3	Beam Hook Cover	01	NA
7.4	Tana Rod	01	Dia-10, L-1500
7.5	Beam Bush Bearing	02	165x165x40
7.6	Beam Bush Bearing Plate	02	165x165x10
7.7	Harden Nut and Bolt	08	M10, L- 90
7.8	Hinge (Heavy duty) for beam cover	05	--
8.	Shading Angle	02	50x50x900
9.	Harden Nut and Bolt	04	M10, L- 40
10.	Shading Pipe	01	OD-45, ID-39, L-1640
11.	Harden Nut and Bolt	02	M12, L- 80
12.	Shading Roller (plastic)	02	NA
13.	Tana Tightening Clamp.	01 set	--
14.	Tightening chain	02	--
15	Weaver's 3 step adjustable seat frames	02	L channel (35x35) frame (500x500)
16	weaver's seat Wooden	01	Full width

Total weight of metal would be approx. 200 kg. (Excluding wooden / plastic items)

Each bidder have to display/demonstrate with wrap/cloth on the day of bid opening.



Hand Knotted Metallic Carpet Loom (4'X6')

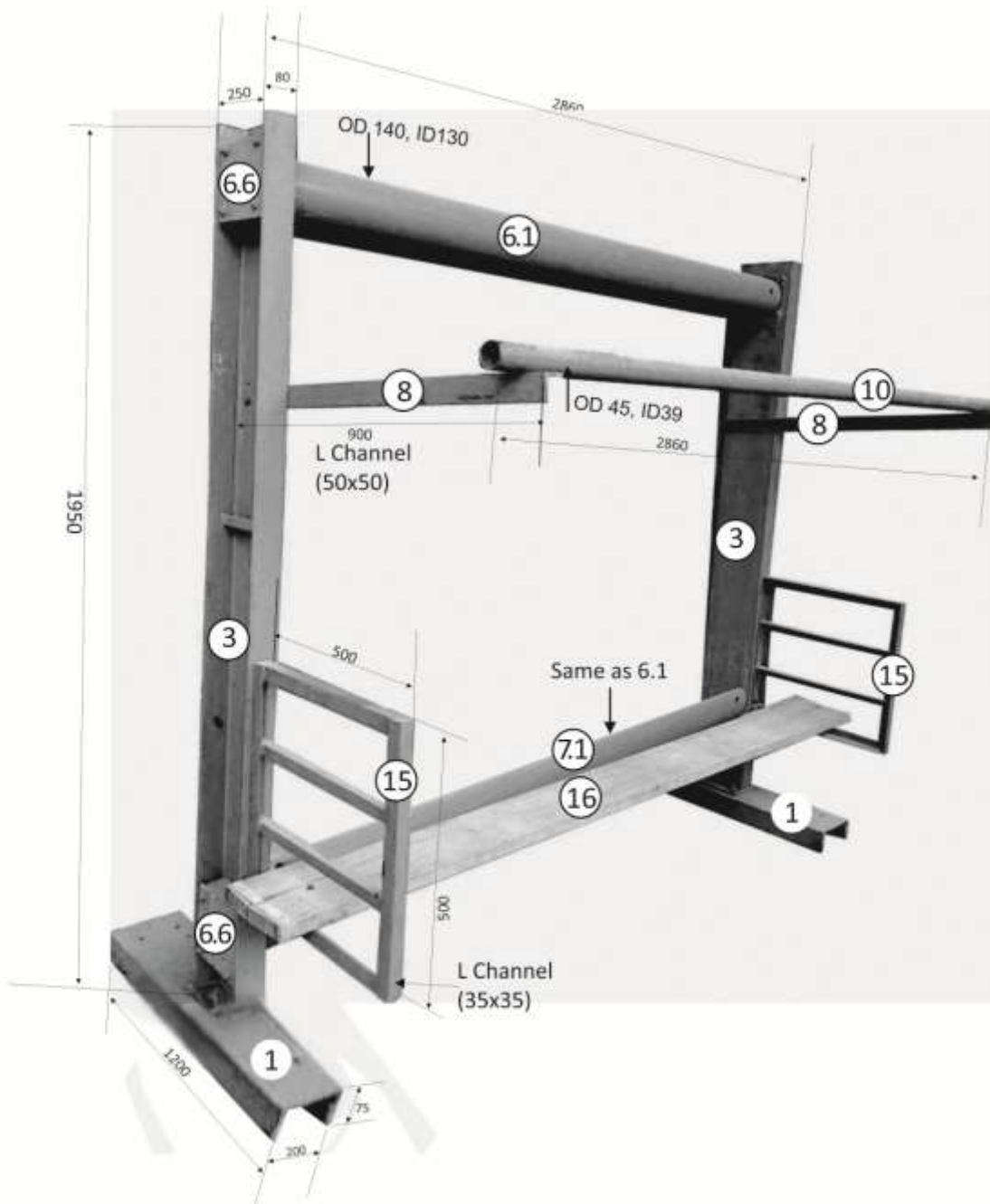
Note: All Dimensions are in mm

Technical specification of 8' x 10' Persian hand knotted carpet loom

Sr. No.	Components Name	number	Dimension (in mm)
1	Base Channel	02	150x75x1200
2	Foundation Nut and Bolt	08	M10, L- 300mm
3	Support Channel	02	200x80x1950
4	Base Plate for Support Channel	02	200x150x10
5	Harden Nut and Bolt	08	M10, L- 40
6	Upper Beam parts		--
6.1	Beam pipe	01	OD-140, ID-130, L-2860
6.2	Beam Hook	12	--
6.3	Beam Hook Cover	01	--
6.4	Tana Rod	01	Dia-10, L-2800
6.5	Beam Bush Bearing	02	165x165x40
6.6	Beam Bush Bearing Plate	02	165x165x10
6.7	Harden Nut and Bolt	08	M10, L- 90
6.8	Hinge (Heavy duty) for beam cover	10	--
7	Lower Beam		--
7.1	Beam pipe	01	OD-140, ID-130, L-2860
7.2	Beam Hook	12	NA
7.3	Beam Hook Cover	01	NA
7.4	Tana Rod	01	Dia-10, L-2800
7.5	Beam Bush Bearing	02	165x165x40
7.6	Beam Bush Bearing Plate	02	165x165x10
7.7	Harden Nut and Bolt	08	M10, L- 90
7.8	Hinge (Heavy duty) for beam cover	10	--
8	Shading Angle	02	50x50x900
9	Harden Nut and Bolt	04	M10, L- 40
10	Shading Pipe	01	OD-45, ID-39, L-2860
11	Harden Nut and Bolt	02	M12, L- 80
12	Shading Roller (plastic)	04	NA
13	Tana Tightening Clamp.	01 set	--
14	Tightening chain	02	--
15	Weaver seat frames with 03 step	02	L channel (35x35) frame (500x500)
16	weaver's seat Wooden	01	Full width

Total weight of metal would be approx. 250 kg. (Excluding wooden / plastic items)

Each bidder have to display/demonstrate with wrap/cloth on the day of bid opening.



Hand Knotted Metallic Carpet Loom (8'X10')

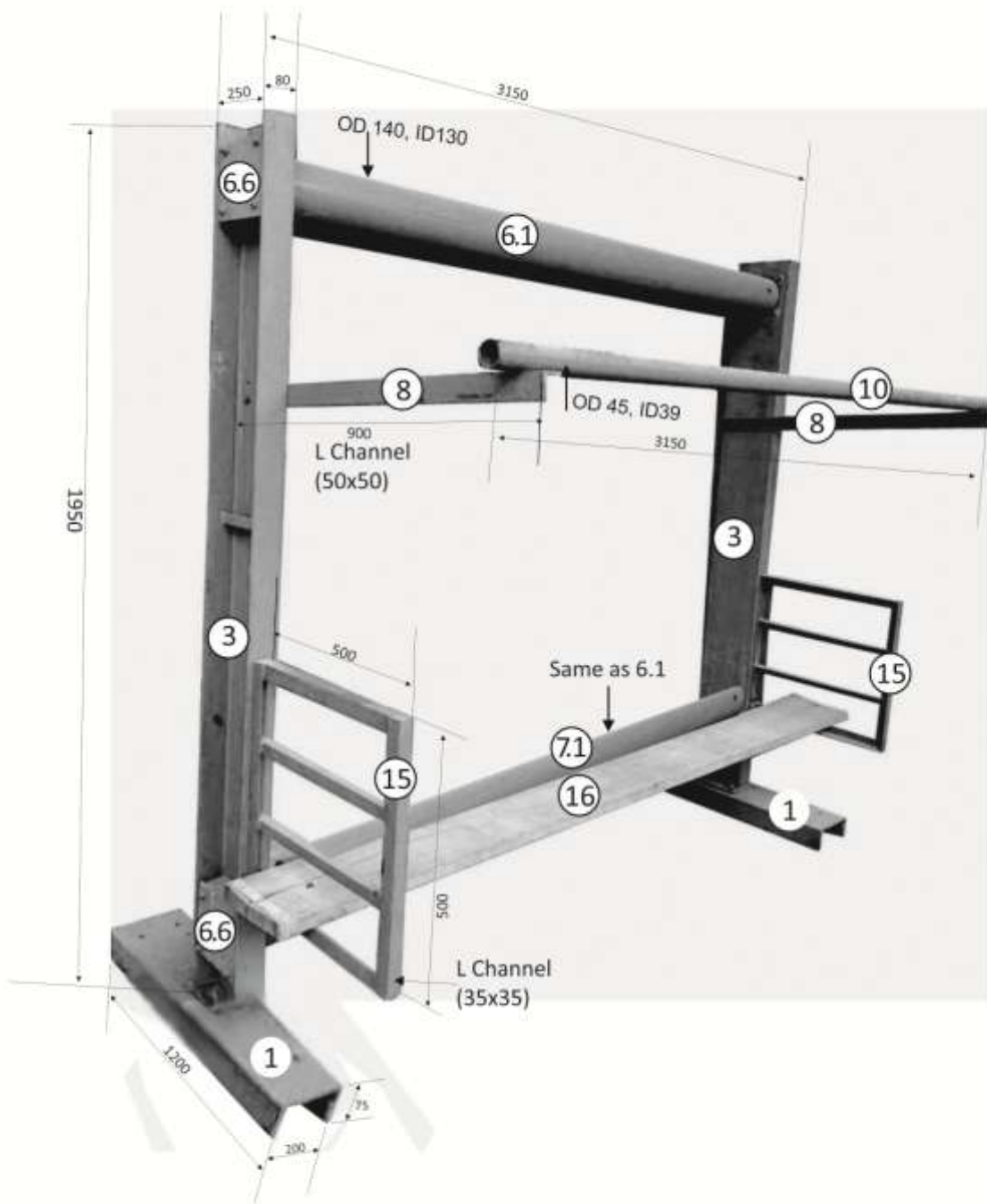
Note: All Dimensions are in mm

Technical specification of 9' x 12' Persian hand knotted carpet loom

Sr. No.	Components Name	number	Dimension (in mm)
1	Base Channel	02	200x75x1200
2	Foundation Nut and Bolt	08	M10, L- 300mm
3	Support Channel	02	250x80x1950
4	Base Plate for Support Channel	02	250x150x10
5	Harden Nut and Bolt	08	M10, L- 40
6	Upper Beam parts		--
6.1	Beam pipe	01	OD-140, ID-130, L-3150
6.2	Beam Hook	14	--
6.3	Beam Hook Cover	01	--
6.4	Tana Rod	01	Dia-10, L-3100
6.5	Beam Bush Bearing	02	165x165x40
6.6	Beam Bush Bearing Plate	02	165x165x10
6.7	Harden Nut and Bolt	08	M10, L- 90
6.8	Hinge (Heavy duty) for beam cover	12	--
7	Lower Beam		--
7.1	Beam pipe	01	OD-140, ID-130, L-3150
7.2	Beam Hook	14	NA
7.3	Beam Hook Cover	01	NA
7.4	Tana Rod	01	Dia-10, L-3100
7.5	Beam Bush Bearing	02	165x165x40
7.6	Beam Bush Bearing Plate	02	165x165x10
7.7	Harden Nut and Bolt	08	M10, L- 90
7.8	Hinge (Heavy duty) for beam cover	12	--
8	Shading Angle	02	50x50x900
9	Harden Nut and Bolt	04	M10, L- 40
10	Shading Pipe	01	OD-45, ID-39, L-3165
11	Harden Nut and Bolt	02	M12, L- 80
12	Shading Roller (plastic)	06	NA
13	Tana Tightening Clamp.	01 set	--
14	Tightening chain	02	--
15	Weaver seat frames with 03 step	02	L channel (35x35) frame (500x500)
16	weaver's seat Wooden	01	Full width

Total weight of metal would be approx. 265 kg. (Excluding wooden / plastic items)

Each bidder have to display/demonstrate with wrap/cloth on the day of bid opening.



Hand Knotted Metallic Carpet Loom (9'X12')

Note: All Dimensions are in mm

Format for the financial bid

Details of the price, Validity delivery period & warranty period : to be mentioned separately for each item, if there are more than one option for any item then use separate sheet.

For Name of the item: Hand-knotted Carpet Metallic loom (1500 Nos.)

Price			
Cost Heads	Amount (Rs.) of loom size		
	Size- 4' X6'	Size- 8'X10'	Size- 9'X12'
(1). Material			
(2). Fabrication			
(3). Accessories			
(4). Discount			
(5). Discounted Price			
(6). G.S.T@% & other taxes, if any			
(7). Trial & Testing			
(8). Transportation Charges			
(9). Packing & forwarding charges			
(10). Training, installation & free maintenance for 1 year			
(11).Miscellaneous including Margin			
(12). Total Amount for one No. Hand-knotted Carpet Metallic Loom			

- Validity of the price - 2 years from the date of opening of Tender (Yes/No):
- Commitment of Delivery: Supplier to start /commence the supply within 30 days and complete the entire supply within 90 days of receipt of the order, as per schedule below or as mutually agreed.

Days	No. Of units- Hand-knotted Carpet Metallic Looms (Total 1500 nos.)
Within 30 days	
Within 60 days	
Within 90 days	

- Warranty period: Minimum 1 Year (Yes/No):
- Maintenance: Availability for maintenance accessories and repair after the expiry of the warranty period of 1 year (Yes/No):

Date :

Signature

Place :

Seal

FINANCIAL EVALUATION CRITERIA

- Only those bidders who qualify in the technical evaluation will be considered for opening of their financial bid.
- Empanelment of suppliers will take place on basis of lowest bid for each Hand-knotted Carpet Metallic Loom after due approval of competent authority for the recommendation made by the duly committee constituted.
- IICT, Bhadohi, reserves the right to appoint more than one supplier for each item subject to eligibility, compliance to quality, price terms and to ensure supply within the Delivery period.
- For Hand-knotted Carpet Metallic looms, in case, L-1 does not have the capacity to supply full quantity in 3 months' time, the order will be split among bidders at L-1 rate.
- After opening of the financial bids, selected bidders must submit their consent to supply part order at L-1 rates (in order to be considered for part order).